

**110
DOMESTIC, COMMERCIAL AND
RECREATIONAL VEHICLE WATER HEATER
THERMOSTAT "UNI-KITS"**

All models feature built-in non-cycling Energy Cut-Off (ECO) system to shut off all gas to water heater in case of excessive water temperatures. If an ECO has detected an over-temperature condition and has opened, the control will not function and a new replacement will be required. All domestic and RV models have a 160°F temperature high stop. All commercial models have a 180°F temperature high stop. All models have a 5-1/2 inch sensing element.



Code	Model	Factory Nr	Inlet Size	Outlet Size	Shank Length	Press. Reg. Setting
RECREATIONAL VEHICLES (Low Capacity)						
723-157	110-501	RV103RVTSLPPA	3/4" inv. flare	3/8" pipe	1-5/8"	11" W.C. LP
723-163	110-504	RV103RVTSLPP	3/8" inv. flare	3/8" inv. flare 3/8" pipe	1-1/4"	11" W.C. LP
723-164	110-508	RV103RVTSLP	3/8" pipe	3/8" pipe	1-1/2"	11" W.C. LP
TOTAL REGULATION DOMESTIC UNI-KITS 160°F						
723-145	110-C309	R110RP	1/2" pipe	1/2" inv. flare	1-1/2"	3.5" W.C. NAT
723-149	110-C319	R110RP-LP	1/2" pipe	1/2" inv. flare	1-1/2"	10" W.C. LP

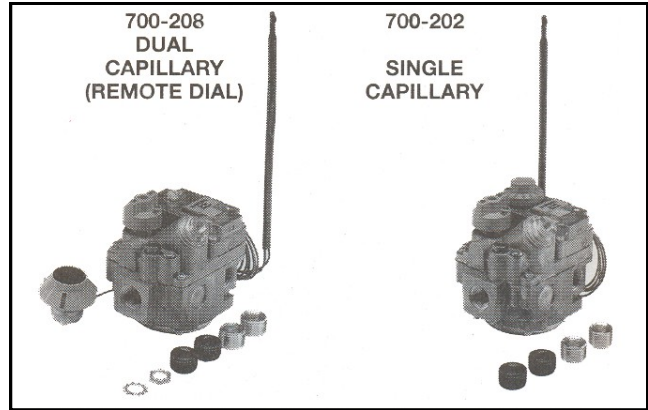
723-725	Adaptateur de conversion - <i>Conversion adaptor</i> 1/2" INV. FLARE à/to 3/8" FNPT
723-045	11-006 Bouton temp PR 110 11-006 temp knob PR 110



**700
SNAP ACTION AND
SNAP THROTTLE HYDRAULIC**

Snap-action and snap-throttle (modulating) are combination gas valves, thermostatically operated by a remote temperature sensing bulb.

All models feature 3-position main gas outlets, pilot gas filter, pilot adjustment key and automatic pilot valve. The automatic pilot valve is separate from the gas cock and provides gas shutoff in case of power outage.



SPECIFICATIONS

Temperature range		Bulb O.D. and length	1/4" x 8"
Standard Dial	58° to 90°F	Pilot outlet	1/4" tubing
Remote Dial	45° to 95°F	Gas cock dial marking	off-pilot-on
Capillary Length		Ambient temperature	-40° to 175°F
Single cap. type	36"	Maximum inlet pressure	14" W.C. (1/2 PSI)
Remote dial type	Combination 18" & 48"		

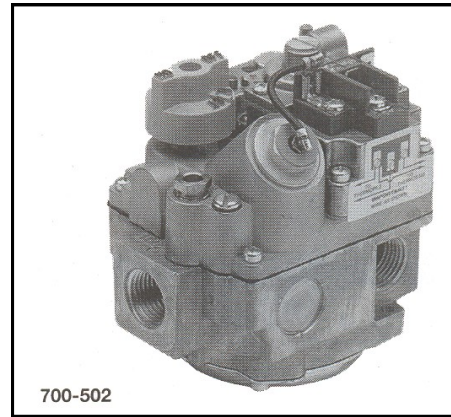
Code	Model	Factory Model	Inlet FPT	3 Pos. Outlet	Cap. Length	Press. Reg.	Capacity	Reducer Bushings 1/2" x 3/8"
SNAP-ACTION MODELS								
723-198	700-201	7000AS	1/2"	1/2"	36"	—	100,000	2
723-199	700-202	7000ASR	1/2"	1/2"	36"	3.5" W.C. NAT	100,000	2
723-202	700-209	7000AS-1H	1/2"	1/2"	Remote Dial Dual Capill. Models	—	—	
723-203	700-210	7000ASR-1H	1/2"	1/2"		3.5" W.C. NAT	100,000	2
SNAP-THROTTLE MODELS								
723-208	700-204	7000AST-LP-3	1/2"	1/2"	36"	—	160,000	2
723-200	700-205	7000ASTR-3	1/2"	1/2"	36"	3.5" W.C. NAT	100,000	2
723-201	700-206**	7000AST-3-1H	1/2"	1/2"	Remote Dial Dual Capill. Models	—	100,000	2
723-204	700-208	7000ASTR-3-1H	1/2"	1/2"		3.5" W.C. NAT	100,000	2
723-190	700-212	7000ASTR-LP	1/2"	3/8" *	18"	11" W.C. LP	162,000	1

* Right side outlet only - Williams Furnace applications. ** Non-regulated but for use on natural gas only

**700
MILLIVOLT VALVE**

Thermostat actuated combination gas valve. The automatic pilot safety valve is separate from the gas cock and provides gas shutoff in case of pilot outage. VALVES CAN BE MOUNTED IN ANY POSITION EXCEPT UPSIDE DOWN.

Note: Will not work with two-lead thermopiles



SPECIFICATIONS

Electrical rating	250 MV to 750 MV	Gas cock dial marking	off-pilot-on
Pressure regulator (optional by model)	Factory set @ 3.5" W.C	Terminal type	1/4" spade
Pilot outlet	1-1/4" tubing	Ambient temperature	-40° to 175°F
		Maximum inlet pressure	14" W.C. (1/2 PSI)

Code	Model	Factory Model	Inlet FPT	Straight Thru FPT	Side FPT with Plugs	Press. Reg.	Capacity	Reducer Bushings
723-220	700-502 *	7000AMVR	1/2"	1/2"	1/2"	3.5" W.C. NAT	100,000	(1) 3/4"x1/2"
723-218	700-506 *	7000BMVR	3/4"	3/4"	Straight Thru	3.5" W.C. NAT	300,000	(2) 3/4"x1/2"
723-210	700-522 **	7000MVRHC-S7C	1"	1"	Straight Thru	3.5" W.C. NAT	720,000	—
723-191	700-511*	7000BMVRFT-S7C	3/4"	3/4"	Straight Tru	Uni-Kit	400,000	(2)

- * Has coaxial thermopile connection.
- ** Has slow opening feature for soft ignition.

→ Contrôle pour chauffe-piscine
Pool heater control

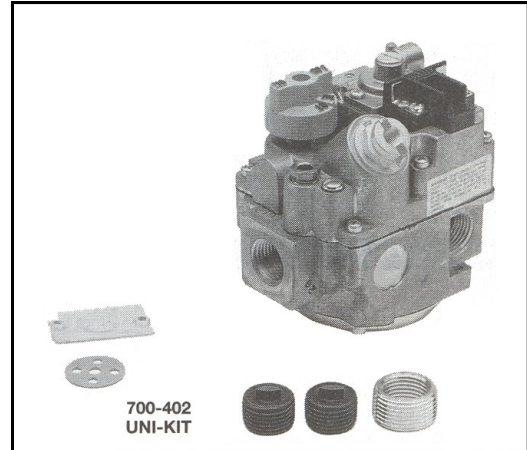
**700
24 VOLT COMBINATION VALVE**

For reliability, performance, flexibility and ease of installation and service in one compact control. Models that have a safety magnet have a "notched or slotted" magnet for applications requiring the use of an ECO switch.

The automatic pilot safety valve is separate from the gas cock and provides gas shutoff in case of pilot outage. VALVES CAN BE MOUNTED IN ANY POSITION EXCEPT UPSIDE DOWN.

UNI-KITS

The Uni-Kits have a pressure regulator installed that is set for natural gas. To convert to LP gas, a regulator cover plate is included. Simply remove pressure regulator and install the regulator cover plate.



SPECIFICATIONS

Electrical rating	12 VDC - 0.18 amps	Terminal type	Combination screw/spade
	24 VDC - 0.2 amps, 50/60 Hz	Ambient temperature	-40° to 175°F
Pressure regulator	Factory set @ 3.5"W.C	Maximum inlet pressure	14" W.C. (1/2 PSI)
Pilot outlet	1/4" tubing	Gas cock dial marking	off-pilot-on

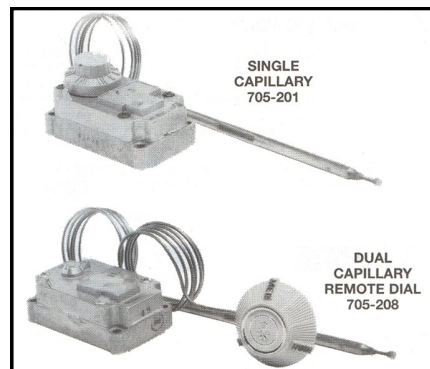
Code	Model	Factory Model	Inlet FPT	Straight Thru FPT	Side FPT with Plugs	Press. Reg.	Capacity	Reducer Bushings
24 VOLTS COMBINATION MODELS								
723-215	700-408	7000AER	1/2"	1/2"	1/2"	3.5" W.C. NAT	100,000	(2) 1/2"x3/8"
723-205	700-428**	7000BER-S7C	1/2"	3/4"	1/2"	3.5" W.C. NAT	240,000	(1) 3/4"x1/2" (2) 3/4"x1/2"

** Has slow opening feature for soft ignition

**705
HYDRAULIC OPERATORS
SNAP-ACTION & SNAP THROTTLE**

Designed to allow field conversion to the 700 Series gas valves to remote bulb temperature control.

If your application requires a drive rod for the temperature dial, simply pry off the temperature dial on the gas valve. A built-in drive rod adaptor is located underneath the temperature dial.



SPECIFICATIONS

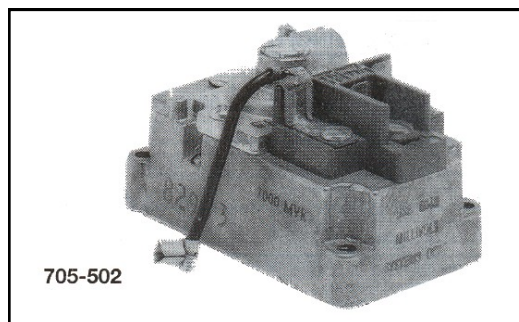
Capillary length		Bulb O.D. and length	
Single capillary type	36"	Standard type	1/4" x 8"
Remote dial type	Combination 18" and 48"	Low capacity type	3/8" x 4"
Pressure regulator	Factory set @ 3.5"W.C	Temperature dial marking	OFF, LOW, 1-8, HI

Code	Model	Factory Model	Temp. Range	Cap. Length	Press. Reg. Set.	Replacement Operator For Valve No.
SNAP-ACTION HYDRAULIC OPERATORS						
723-221	705-201	S	58 to 90°F	36"	None	700-201
SNAP-THROTTLE (MODULATING) HYDRAULIC OPERATORS						
723-226	705-205	STR-4	58 to 90°F	36"	3.5" W.C. NAT	700-205

705 - MILLIVOLT OPERATORS

The 705 millivolt operator kit is designed to allow field conversion of 700 and 710 Series manual valves to wall thermostat control.

Note: Always use a new gasket and mounting screws when replacing the valve operator.



SPECIFICATIONS

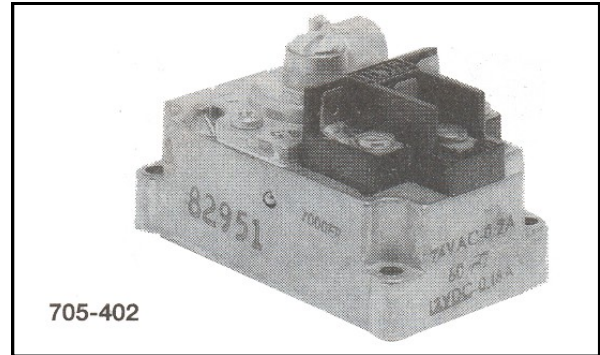
Operator type	Millivolt
Electrical rating	250 MV to 750 MV 24 VAC - 0.2 amps
Pressure regulator	Factory set @ 3.5"W.C
(optional by model)	
Terminal type	Combination screw/spade
Thermopile connection	Two-lead only

Code	Model	Factory Model	Block Color	Pressure Sensitive Set.
723-236	705-501 *	MV	Red or Gray	None *
723-234	705-502	MVR		3.5"W.C NAT.

* A separate regulator may be required for the system

**705
24 VAC & 12 VDC OPERATORS**

The 705-401 & 705-402 operators are designed to allow field conversion of 700 and 710 Series manual valves to wall thermostat control.



SPECIFICATIONS

Operator type	24 VAC
	12 VDC
Electrical rating	24 VAC - 0.2 amps
	12 VDC - 0.18 amps
Pressure regulator	
(optional by model)	Factory set @ 3.5"W.C
Terminal type	Combination screw/spade

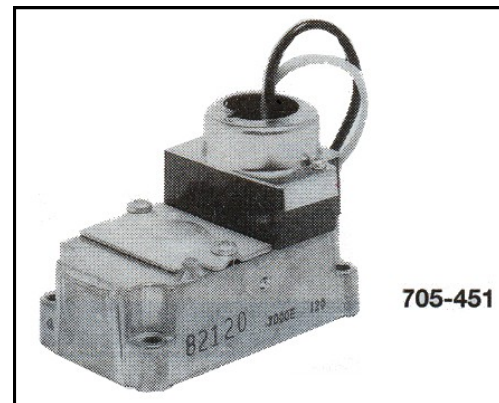
Code	Model	Factory Model	Block Color	Gas	Lo-Fire	Hi-Fire
723-229	705-401 *	E	Black	N/A	Non-regulated	
723-231	705-402	ER		NAT.	N/A	3.5" W.C.

* A separate regulator may be required for the system

**705
120& 240 VOLT OPERATORS**

The 705 Series line voltage operator kits is designed to allow field conversion of 700 and 710 Series manual valves to wall thermostat control.

Note: Always use a new gasket and mounting screws when replacing the valve operator.



SPECIFICATIONS

Operator types	120 and 240 VAC
Electrical rating	120 VAC - 0.034 amps
	240 VAC - 0.017 amps
Pressure regulator	
(optional by model)	Factory set @ 3.5"W.C
Cover type	For conduit connection

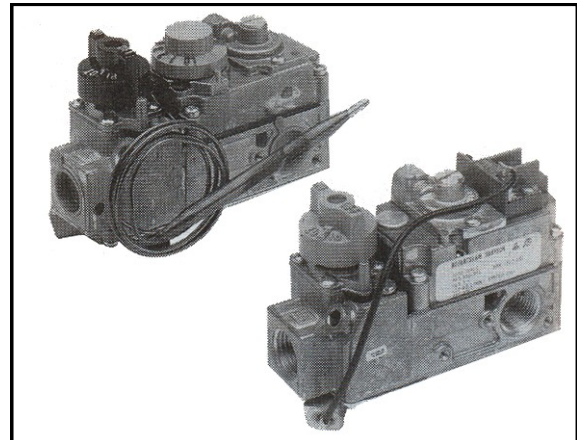
Code	Model	Factory Model	Volt.	Block Color	Pressure Reg. Set.
723-233	705-451	E	120 VAC	Brown	None *

* A separate regulator may be required for the system

**710
LOW PROFILE GAS HEATING VALVES**

Low capacity gas heating valves designed for recreational vehicles and other applications where space is limited.

The control can be mounted in any position except upside down, and all models have 3-position outlets.



SPECIFICATIONS

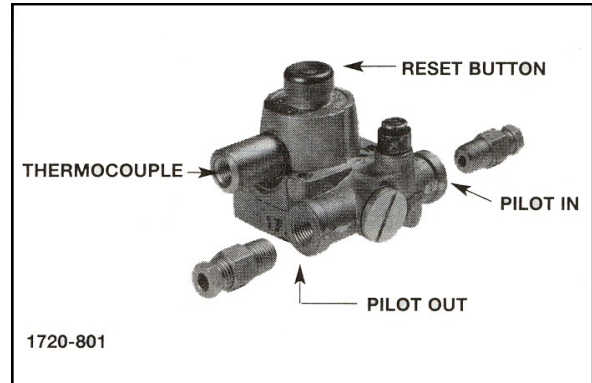
Temp. range	58° to 90°F
(Hydraulic models)	
Pilot outlet	1/4" tubing
Gas cock dial marking	Off-Pilot-On
Max. ambient temp.	175°F
Max. capacity	
Natural gas	70,000
Propane gas	112,000
Max. inlet pressure	14" W.C. (1/2PSI)

Code	Model	Factory Model	Inlet FPT	3 Pos. Outlet	Reducers	Cap. Length	Press. Reg.	Applications
MANUAL MODELS								
723-196	710-101	7000MLC	1/2"	1/2"	(2) 1/2" x 3/8"	—	—	
24 VOLTS								
723-195	710-401	7000ELC	1/2"	1/2"	(2) 1/2" x 3/8"	—	—	Wall furnaces 12VDC, 24VAC
MILLIVOTS Note: Use two lead thermopiles only								
723-197	710-501	7000MVLC	1/2"	1/2"	(2) 1/2" x 3/8"	—	—	Space heaters Replaces B-67

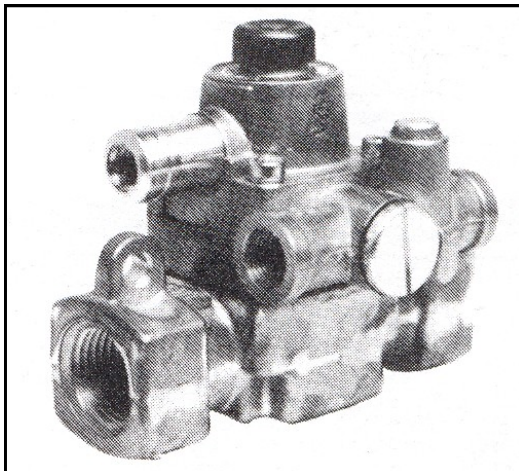
**1720
(TS) REPLACEMENT SAFETY MAGNET HEADS**

Replacement magnet used with 1710 Series Bodies in TS automatic Safety Valves applications. All models have *Flow Interruption* so that no gas can flow to the main burner while the reset button is depressed.

Each magnet kit head is tapped for 1/8" pipe with fittings to adapt to 3/16" and 1/4" compression tubing. Also included is a new valve, gasket and mounting screws.



Code	Model	Description
		INLET & OUTLET MODELS - TS "J" HEAD
723-289	1720-801	Kit, 1/8" pipe, 3/16" tubing, 1/4" tubing
		OUTLET MODELS - TS "K" HEAD
723-291	1720-802	Kit, 1/8" pipe, 3/16" tubing, 1/4" tubing



**1731
(TS) COMPLETE SAFETY VALVES**

1731 Series valves are used on all types of gas appliances. The entire Series is designed to provide a safety device in case of pilot outage or interruption of the gas supply. Should the pilot go out, all gas will stop flowing.

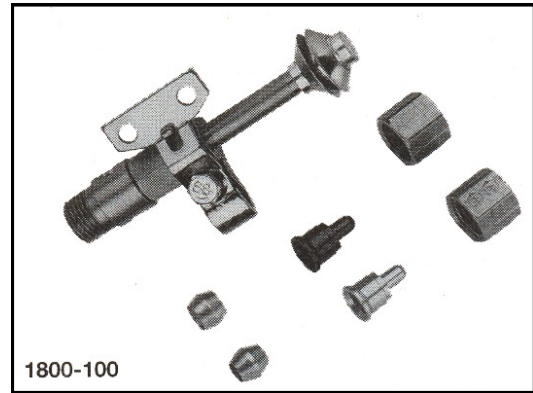
Code	Model	Inlet & Outlet Size	Magnet Type & Size
723-295	1731-C110	3/8" pipe	"J" 1/4" tubing
723-299	1731-C112	3/8" pipe	"K" 1/4" tubing
723-301	1731-C113	1/2" pipe	"K" 1/4" tubing

1800-100 UNIVERSAL 9B PILOT UNI-KIT

4-ported pilot designed to replace all obsolete Model 9B pilot variations. Each kit comes with natural orifice installed and includes a separate L.P. gas orifice.

The 1800-100 is hooded, aerated, constant burning pilot for main burner ignition. When used with the Uni-Line 1980 or 1970 Series or similar thermocouples, it provides a heat source for the thermo-electric automatic pilot magnet.

Code 723-340

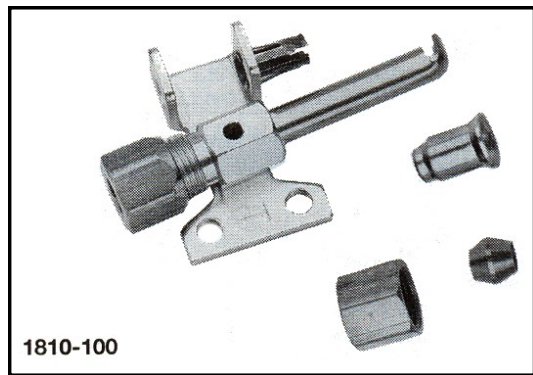


1810-100 UNIVERSAL 2BLC PILOT UNI-KIT

Designed to replace all obsolete Model 2B/2BLC pilot which is no longer in production. Each kit comes with natural orifice installed and includes a separate L.P. gas orifice.

The 1810-100 is an aerated, constant burning pilot for main burner ignition. When used with the Uni-Line 1980 or 1970 Series or similar thermocouples, it provides a heat source for the thermo-electric automatic pilot magnet.

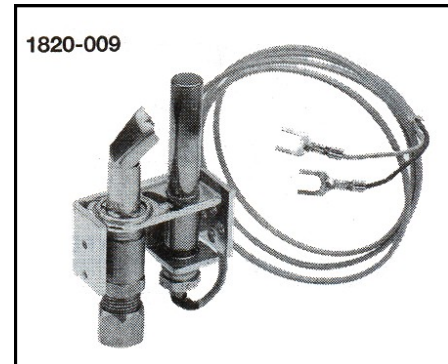
Code 723-342



1820 SERIES PG9 REPLACEMENT PILOT UNI-KITS

Designed to replace those hard-to-find ITT General PG9 type pilots. Each kit comes with natural orifice installed and includes a separate L.P. gas orifice.

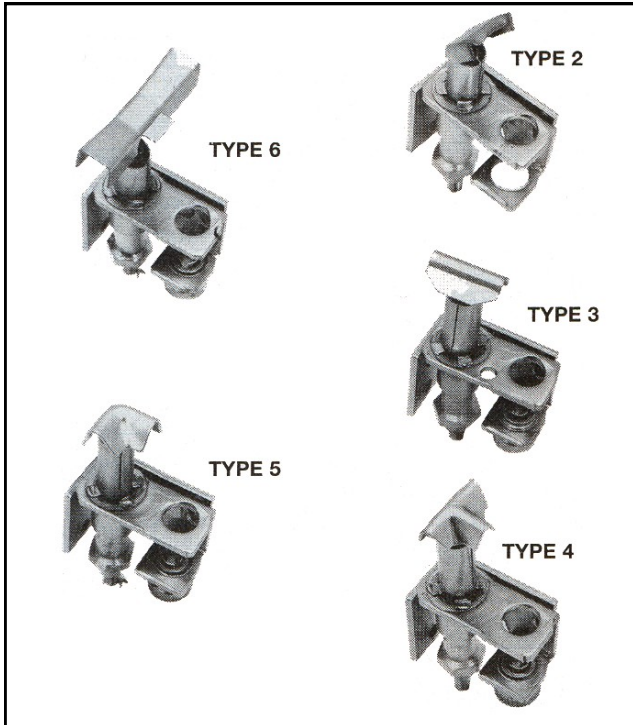
The 1820 Pilots are aerated, combining the best feature of an incinerator type pilot and a target type pilot. These pilots have non-linting characteristics, and no air shutters or supplementary shields requiring assembly or adjustment are needed.



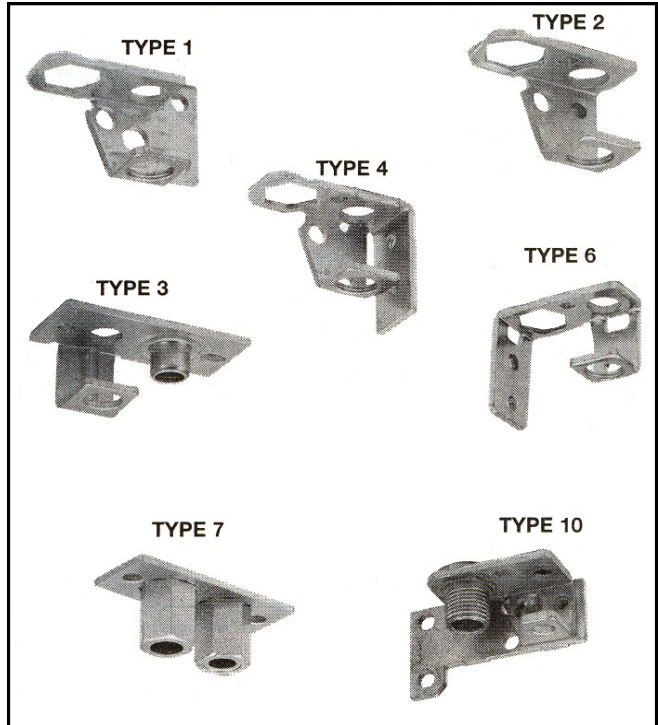
Code	Model	Flame Pattern	Type of Gas	With Thermopile	Replaces ITT-General
723-345	1820-009	90° RIGHT	Natural and LP gas orifices included	●	PG9A42JTL020
723-347	1820-029	90° RIGHT		Pilot only	
723-348	1820-039	90° LEFT			

PILOT TYPE IDENTIFICATION

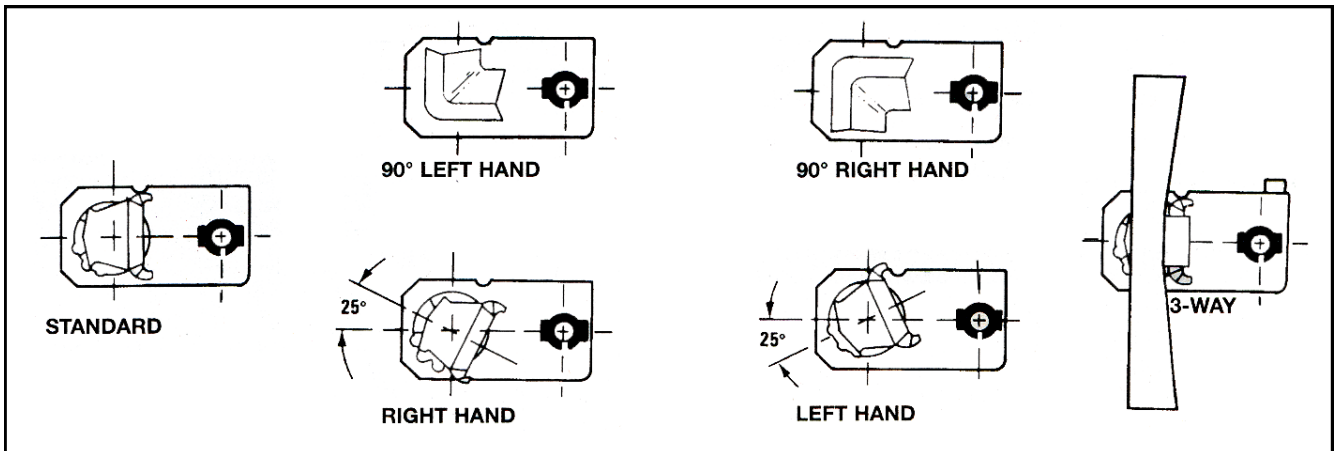
HOOD TYPE



MOUNTING BRACKET TYPE



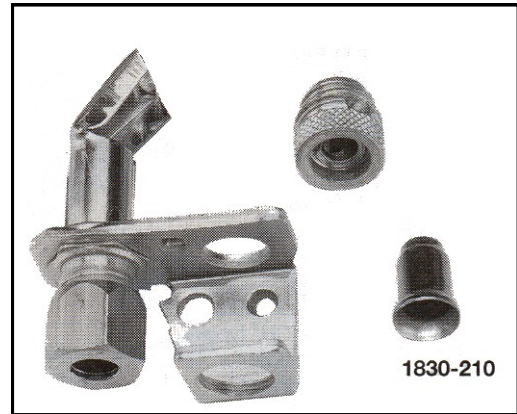
FLAME PATTERN TYPE



1830 (2CH & 2C) INCINERATOR-TARGET PILOT UNI-KITS

Designed to be used with all Uni-Line and competitive thermocouples. Kits include an adaptor that converts a threaded thermocouple/thermopile model 2CH to a snap-in thermocouple type, model 2C.

The 1830 Pilots are aerated, combining the best feature of an incinerator type pilot and a target type pilot. These pilots have non-linting characteristics, and no air shutters or supplementary shields requiring assembly or adjustment are needed.



VOUS RÉFÉRER À LA PAGE 11 POUR IDENTIFICATION DU TYPE
REFER TO PAGE 11 FOR PILOT TYPE IDENTIFICATION

Code	Model	Factory No.	Hood Type	Mount. Bracket	Flame Pattern Type
723-359	1830-001	2CH-6	2	6	STD
723-355	1830-005	4CH-6	4		3-WAY (A)
723-360	1830-007	3CHL-2	3	2	LEFT
723-350	1830-013**	5CHL-78	5	7	90° L
723-365	1830-019	6CH14-2	6	2	3-WAY (B)
723-361	1830-110	2CH-1	2	1	STD
723-366	1830-112	2CHR-1			25° R
723-369	1830-115*	2CH-10	2	10	STD

Code	Model	Factory No.	Hood Type	Mount. Bracket	Flame Pattern Type
723-357	1830-213	4CHA-2	4	2	3-WAY (A)
723-352	1830-312	2CHR-3	2	3	25° R
723-374	1830-489	6CH14-6	6	6	3-WAY (B)
723-362	1830-490	6CH24-6			
723-364	1830-601**	2C-2	2	2	STD

* 3/16" tubing

** LP gas orifice installed

1830-700 PILOT ELECTRODE SERIES

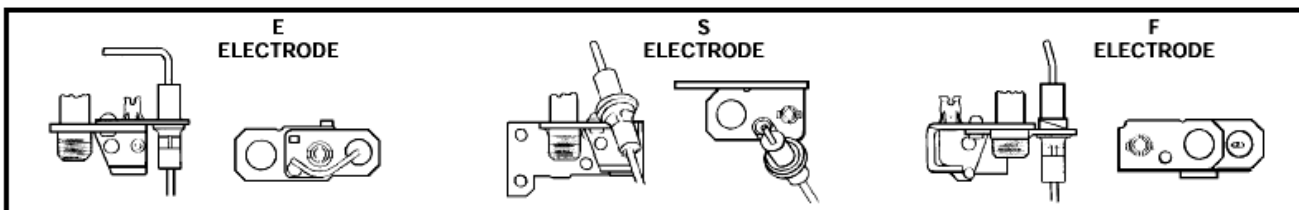
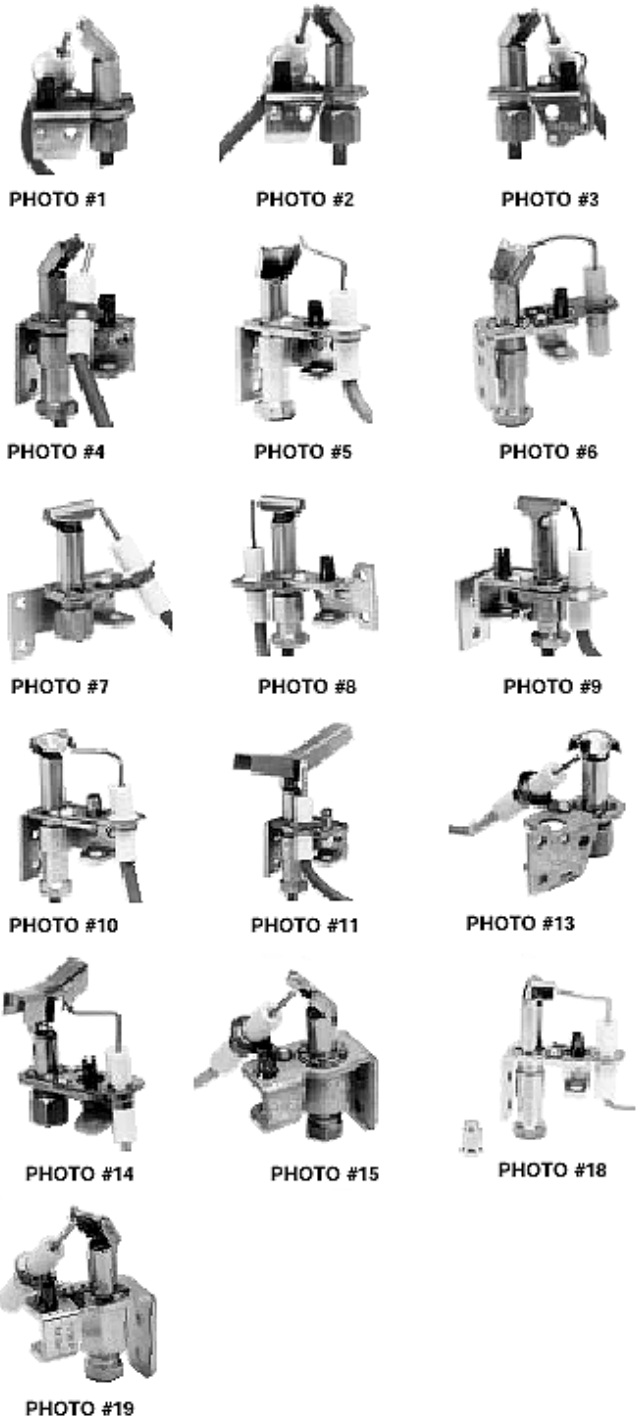
Designed for use with the O.E.M.-style Pilot Ignition Systems. The electrode is permanently riveted to the pilot frame and the spark gap is fixed at 1/8”.

These pilots can be used to replace existing pilot assemblies or when retrofitting standing pilot applications when an exact replacement is desired. Each Uni-Kit comes with a natural gas orifice installed and a separate LP gas orifice.

The 1830 Pilots are aerated, combining the best feature of an incinerator type pilot and a target type pilot. These pilots have non-linting characteristics, and no air shutters or supplementary shields requiring assembly or adjustment are needed.

Code	Model	Factory No.	Photo No.	Flame Pattern Type	Lead Length
723-395	1830-705	2S-6	4	STD	24"
723-398	1830-708	3S-10	7	180°	
723-337	1830-709	3S-1F	8	180°	13"

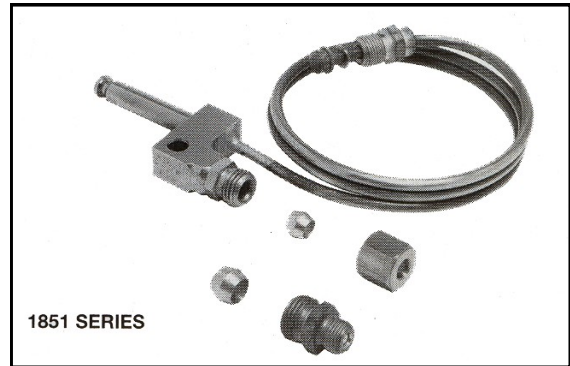
* Piezo Receptacle fits .093 diameter pin terminal.



**1850 - 1851 MINI-PILOTS 100'S
EXACT REPLACEMENTS AND UNI-KITS**

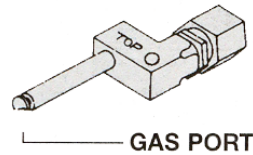
Non-aerated (no primary air) and can be used on all gases with no orifice change. The pilot's are position-sensitive and care should be taken to install them in their correct position.

(TOP stamped on casting at top when applied).

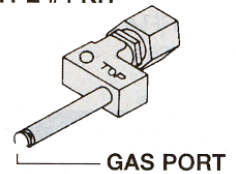


Code	Model	Tube Length	Inlet Tubing
HORIZONTAL ANGLE TYPE #2 KIT			
723-371	1851-054	60"	3/16" & 1/4"
HORIZONTAL ANGLE TYPE #4 KIT			
723-379	1851-154	60"	3/16" & 1/4"
723-381	1851-155	72"	
VERTICAL BOTTOM INLET TYPE #6 KIT			
723-389	1851-252	24"	3/16" & 1/4"
723-391	1851-254	48"	
723-393	1851-255	60"	

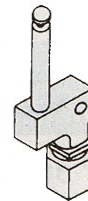
**HORIZONTAL ANGLE
TYPE #2 KIT**



**HORIZONTAL ANGLE
TYPE #4 KIT**



**VERTICAL BOTTOM
INLET TYPE #6 KIT**



1898 SERIES PILOT

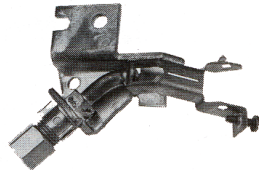
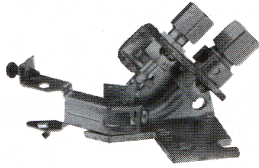
Used with 4060 (MSC and MSC) Series Safety Valves.
Suitable for natural or LP gas using the .14 universal orifice.



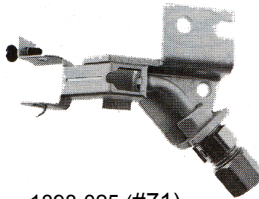
1898-021 (#70)



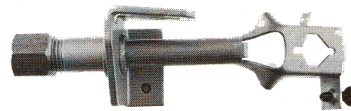
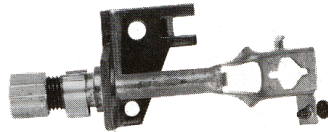
1898-022 (#71)



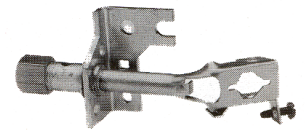
1898-024 (#70)



1898-025 (#71)



1898-037 (#41U7)



1898-039 (#43U4)

Code	Model	Factory Nr	Tube Size	Orifice Installed
723-413	1898-021	#70	3/16"	.14
723-418	1898-037	#41U7		
723-419	1898-039	#43U4		

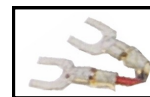
1950 & 1951 SERIES PILOTS

Designed for use on self-powered gas control systems. Can be used to replace all Robertshaw and similar competitive devices.

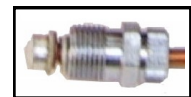
250-750 millivolts



Code	Model	Length	Includes PG9 Adaptor	Connection Type
723-423	1950-001	32"	●	Two Lead
723-425	1950-532	32"		Two Lead
723-427	1951-536	36"		Coaxial



Two Lead



Coaxial

**2000 SNAP-FIT SERIES
UNIVERSAL THERMOCOUPLES**



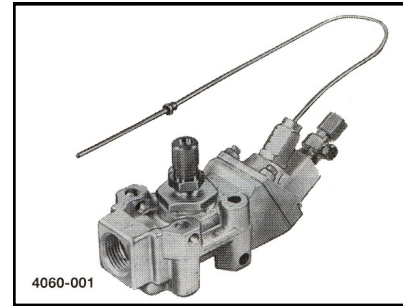
Code	Modèle Model	Long. Length
723-429	2000-18	18"
723-431	2000-24	24"
723-433	2000-30	30"
723-435	2000-36	36"
723-437	2000-48	48"
723-439	2000-60	60"
723-441	2000-72	72"

4060 (MSA) SAFETY VALVE

This Series has a heavy capillary.



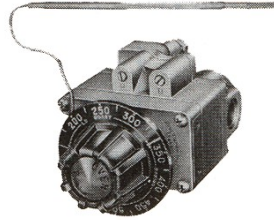
Type #2
Capillary Bushing



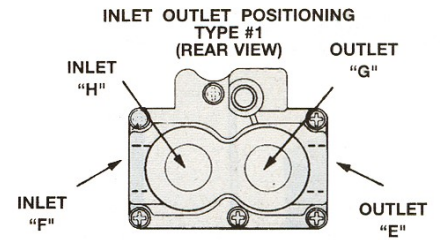
Code	Model	Capillary Length	Bushing Type	Stand-By Pilot Outlet	Inlet	Inlet Adaptor Fittings Included
723-460	4060-005	12"	2	1/8" Tube	7/16" Tube	3/8" Tube & 1/4" Pipe

4200 (FD) COMMERCIAL GAS THERMOSTAT

Heavy-duty, high capacity. Valve response is either snap throttle (FDO) using dial internal valves giving full on to off operation, or throttle (FDTO) using a single internal valve which gives on to off by-pass operation.



TYPE #3
4200-025



Code	Uni-Line No.	Model Type	INLET		OUTLET		Pilot Outlet	Capillary Length	Mounting Position	Bulb Size
			Side F	Side H	Side E	Side G				
100 TO 450°F - NO DIAL										
723-507	4200-401	FDS	3/8" Pipe	3/8" Pipe	3/8" Pipe		Rear	30"	Up	3/8" x 3-1/2" Nickel
150 TO 550°F										
723-491	4200-007	FDO	1/2" Pipe		1/2" Pipe		Side	48"	4-Way	1/4" x 8-7/16" Nickel
200 TO 400°F - FRYER APPLICATIONS - BOTH MODELS HAVE A 3/8" PIPE STUFFING BOX										
723-513	4200-701	FDL	3/8" Pipe		3/8" Pipe		Side	36"	Up	5/16" x 9-1/8" Nickel
300 TO 650°F										
723-492	4200-503	FDTH	1/2" Pipe		1/2" Pipe		Side	48"	4-Way	3/16" x 15-3/8" Nickel

COMMERCIAL GAS THERMOSTATS

4350 BJ GAS THERMOSTAT

Maximum Ambient Temperature – 350°F. Suitable for natural or L.P. gas.

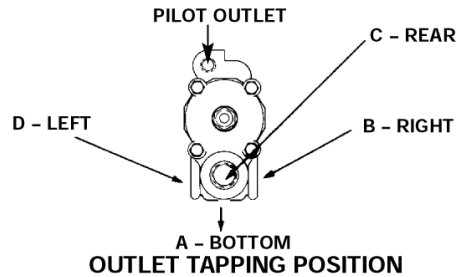
AGA# T2765005

Find the control that is the closest match by determining the following spec's using the following steps.

STEP #1 Oven? Griddle? Steam Table?

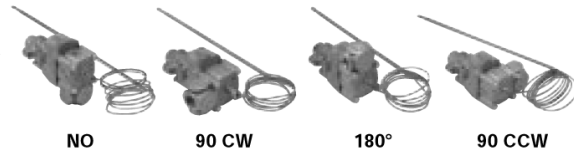


STEP #2 Outlet size and configuration
Where is the rear housing tapped?
What is the thread size of the outlets?



STEP #3 Rear Housing Position
Always: View control from the back... with inlet port down and pilot/bypass screw(s) up.

- If you have to rotate the new control to match original, **REMEMBER:**
- Plug the pilot outlet first.
 - Pay close attention to exactly which direction you rotate.
 - Never separate the front from the back during rotation.
 - Recalibrate after rotating.



STEP #4 Pilot Outlet
Yes? No? Is it plugged? Location of pilot outlet shown in Step #2.

Important Note: If the pilot outlet is not being used it must be plugged.

STEP #5 Mounting Flange Type

Wide?
7/8" width



or



Narrow?
11/16" width

Important Note: A new flange nipple will be required if the replacement deviates from original. See page E146.

STEP #6 Capillary Length and Bulb Size

If you need help on this one, STOP. Drop all tools. Pick up the phone and call a qualified serviceman.

4290 (GS) GAS SNAP-ACTION HYDRAULIC CONTROL

Used to obtain accurate temperature control by interrupting the main burner gas flow either directly or indirectly.

When used directly, this control will service an application with up to 30,000 BTU's of natural gas. By using the 4290 control in conjunction with a 700-800 Series diaphragm gas valve, main burner capacities up to 715,000 BTU's of natural gas can be obtain.

MAXIMUM AMBIENT TEMPERATURE 200°F

Code	Uni-Line No.	Temp. Range	Replaces Factory No.	Capillary Length	Bulb OD	Inlet	Outlet	Stuffing Box Pipe	Pilot Outlet	Stem Flat
723-533	4290-001	200 To 400°F	GS-01-030-01-14	30"	3/8"x5-3/8" Nickel	3/16" Tube	3/16" Tube	1/4" Nickel	None	Down
723-532	4290-002		GS-01-030-01-01			3/16" Tube	3/16" Tube			
723-537	4290-008	60 To 250°F	GS-C8-060-00-14	60"	3/8"x4-1/2" Nickel	3/8" Pipe	3/8" Pipe	3/8" Nickel		

4350 BJ KITS FOR OVENS



FRONT VIEW

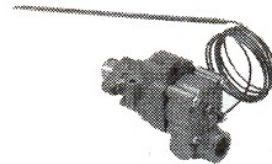


REAR VIEW

	4350-030	250-550°F	1/4" Pipe	A,B,C,D	NO	YES	WIDE	72"	3/16"x11-3/16"	
--	----------	-----------	-----------	---------	----	-----	------	-----	----------------	--



FRONT VIEW

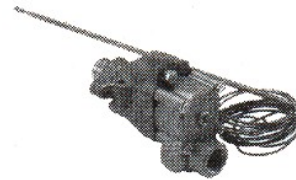


REAR VIEW

	4350-029	250-550°F	7/16" Tube	C	NO	YES	WIDE	48"	3/16"x11-3/16"	
--	----------	-----------	------------	---	----	-----	------	-----	----------------	--



FRONT VIEW



REAR VIEW

723-543	4350-031	250-550°F	7/16" Tube	C	NO	PLUG	WIDE	72"	3/16"x11-3/16"	
---------	----------	-----------	------------	---	----	------	------	-----	----------------	--

4350 BJ KITS FOR GRIDDLES



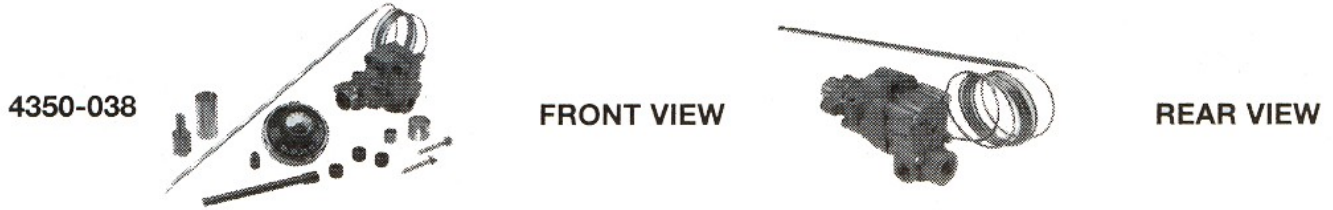
FRONT VIEW



REAR VIEW

723-542	4350-028	150-400°F	1/4" Pipe	A,B,C,D	NO	YES	WIDE	36"	3/16"x8-5/8"	
---------	----------	-----------	-----------	---------	----	-----	------	-----	--------------	--

4350 BJ FOR OVENS (EXACT REPLACEMENTS)



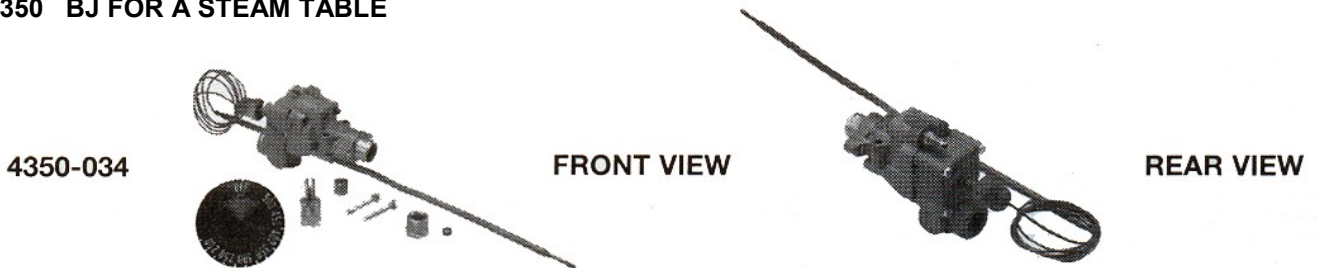
Code	Uni-Line Nr	Temp. Range	Main Outlet(s)		Housing Rotated	Pilot Outlet	Flange Type	Cap Length	Sensing Bulb	Notes
			Size	Position						
	4350-038	250-550°F	1/4" Pipe	B,D	NO	YES	NARROW	48"	3/16"x11-3/16"	VULCAN #20028

4350 BJS FOR GRIDDLES (EXACT REPLACEMENTS)



	4350-039	150-400°F	3/8" Pipe	C	180	NO	NARROW	36"	3/16"x8-5/8"	GARLAND #1360200
--	----------	-----------	-----------	---	-----	----	--------	-----	--------------	------------------

4350 BJ FOR A STEAM TABLE



	4350-034	100-200°F	7/16" Tube	C	NO	YES	WIDE	36"	3/16"x15" Copper	3/8" Stuffing Box DUKE #3509
--	----------	-----------	------------	---	----	-----	------	-----	------------------	------------------------------

HOT SURFACE FURNACE IGNITOR



Code	Uni-Line No.	Lead wire length	Description
723-129	41-409	4" 1/2	The 41-400 series hot surface ignitors deliver dependable ignition in heating systems of every description. They have 18-gauge nickel chrome lead wires. All 41-400 series ignitors are 120 VAC models.

PILOT GAS SOLENOID VALVES



1750-006

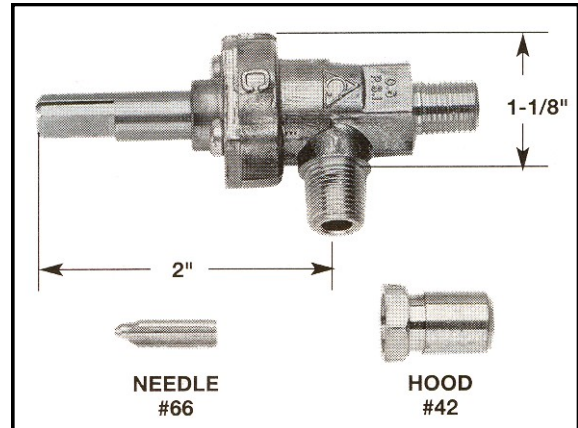
Code	Uni-Line No.	Description
723-318	1750-006	Pilot gas solenoid valve ("D" type 2-wire) used on factory model types: 7000 DE and 7000 DER.

4626 UNIVERSAL TOP BURNER VALVES

.240 stem flat height, flat down, 2" stem 9from center of inlet), 1/8" pipe inlet with needle valve and orifice hood for LP or natural gas applications.

For most LP gas applications tighten hood down against needle. For most natural gas applications tighten hood down against needle then back it off 1-1/4 turns. In either case adjust hood until burner maintains a constant blue flame.

BTU capacity - 57,000



Code	Model	Note
723-642	4626-001	** GAS TOP BURNER VALVE
	4626-002	PUSH-TO-TURN

**4700 U SERIES DOMESTIC GAS THERMOSTATS
FLANGE NIPPLE MOUNT - HORIZONTAL MODELS**

PHOTO 1 MODEL UA

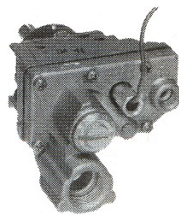
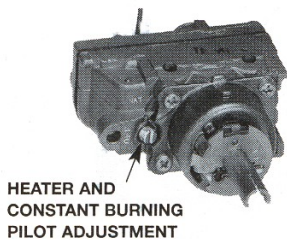
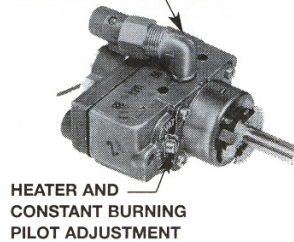


PHOTO 2 MODEL UAF

TOP BURNER PILOT ADJUSTMENT (HIDDEN IN THIS PHOTO)



MAIN BURNER OUTLET 3/8" TUBING

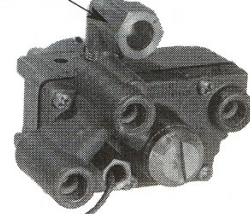


PHOTO 3 MODEL UAF

TOP BURNER PILOT ADJUSTMENT

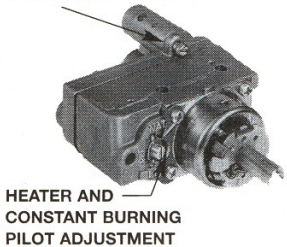
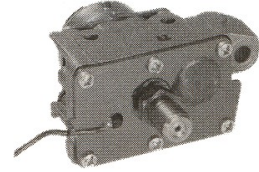
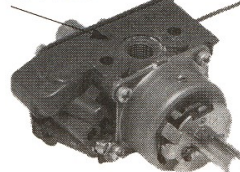


PHOTO 5 MODEL UN

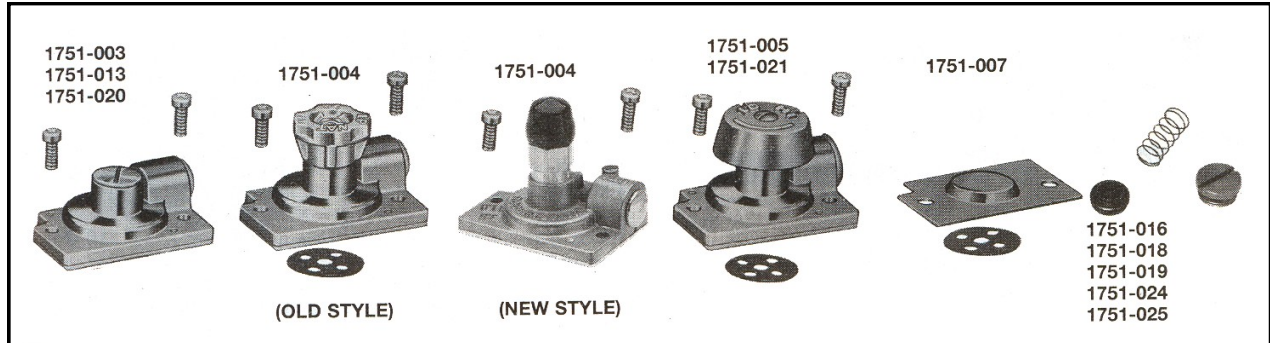
1/8" PIPE OUTLET



4700-056
REAR VIEW

1751 ADD-ON PRESSURE REGULATOR KITS

Kits available for use on following factory model types :
7000, 7010, 7100, 7200 & 7222.



Code	Model	Regulator Type								Adj. W.C. Pressure		Suitable For	
			700 Series (Model 7000)	710 Series (Model 7000 LC)	700 Series (Model 7100)	720 Series (Model 7200)	700 Series (Model 7100) Step-Opening only	720 Series (Model 7200) Step-Opening only	722 Series (Model 2000)	Low	High	NAT	LP
723-331	1751-003	3.5" W.C. NAT. GAS	●★	●						3"	7"	●	
723-333	1751-004	3.5" W.C. NAT. GAS 11" W.C. LP GAS	●★	●								●	●
723-335	1751-007	Regulator cover Plate	●★	●								●	
723-339	1751-013	11" W.C. LP GAS	●★	●						8"	12"	●	●

★ Except hydraulic models which cannot be field converted

ORIFICES

1800 (9B) PILOT



Code	Uni-Line	Type Gas	Tube Size	Orif. Size
	10-166 *	LP	1/4"	.011
	10-168 *	NAT		.018

* For use with 1800-100 Uni-Pilot Kit only

1810 (2B, 2BLC) PILOTS



Code	Uni-Line	Type Gas	Tube Size	Orif. Size
723-009	10-261	LP	1/4"	.0088
	10-168 *	NAT		.018

* For use with 1810-100 Uni-Pilot Kit only

1820, 1830
(2C,2CH,2S,2SH)



Code	Uni-Line	Type Gas	Tube Size	Orif. Size
723-013	10-021	NAT	3/16" or 1/4"	.018
723-015	10-114	LP	3/16" or 1/4"	

1890 COMMERCIAL PILOTS
(#11, #11D)



Code	Uni-Line	Type Gas	Tube Size	Orif. Size
723-017	10-031	NAT	3/16" or 1/4"	.017

1850, 1851, 1870, 1895, 1898
(MP100, 400, #54, #55)
PILOTS



Code	Uni-Line	Pilot	Type Gas	Tube Size	Orif. Size
723-021	10-034	#54	NAT	1/4"	.014
723-035	10-071	#100	*	3/16"	.018

* Universal for all gases

1896 (#50, #51) PILOTS



Code	Uni-Line	Type Gas	Tube Size	Orif. Size
723-027	10-039	LP	3/16"	.008
723-031	10-042	NAT	3/16"	.016

1898 (#70, #71) PILOTS



Code	Uni-Line	Type Gas	Tube Size	Orif. Size
723-033	10-043	*	3/16"	.014
723-034	10-067	LP		.010

* Universal for all gases

DIALS - Gas Cocks

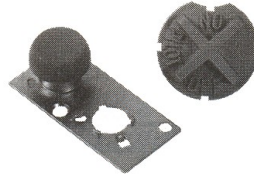
110, 120
 (Unitrol 110 Series)
 Red Dial
 Fits all model types
 Except :
 R110R series



Code	Uni-Line
723-039	10-081

Reset Button Assembly
110, 120
 (Unitrol 110, 400)

Includes plate, reset
 button and gas cock dial.



Code	Uni-Line
723-336	1751-011

DIALS - Water Heating

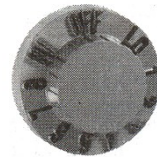
110
 (Unitrol 110, 400 RDA)
 Red Dial
 Standard 160°F



Code	Uni-Line
723-045	11-066

DIALS - Gas Heating

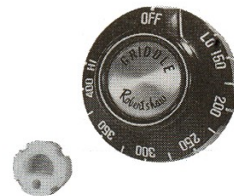
700, 710
 (Unitrol 7000)
 1-10 green dial used on
 hydraulic types.



Code	Uni-Line
723-044	10-135

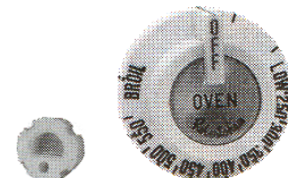
DIALS - Gas Thermostats

4350, 4700
 (BJWA, U Series)



Code	Uni-Line	Dial Marking	Color
723-568	4590-004	150-400°F	Black

4350, 4500
4700, 4800
 (BJWA, BJ, BH
 & U Series)

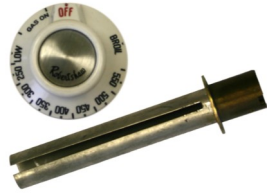


Code	Uni-Line	Dial Marking	Color
723-560	4590-002	250-550°F BROIL	White
723-544	4590-003		Black

DIALS - Gas Thermostats

**BJ, BJOR,
BJC, BJCOR**

1 & 3 Positions



Code	Uni-Line	Dial Marking	Color
723-545	4590-001	LOW-550°F Broil	White

BJ

Left hand to OFF
Mounting A & C



Code	Uni-Line	Dial Marking	Color
723-561	4590-027	Gas On-LOW 550°F - Broil	White

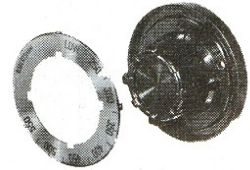
**4400, 4510
4700, 4800**
(BJWA, MP, UAF, BH
and UHF Series)
Low-temp oven dial for
D stem application.
Mounts 4-ways.



Code	Uni-Line	Dial Marking	Color
723-555	4590-022	150-400°F BROIL	Black

DIALS - Gas Thermostats

4200 (FD series)
SLIP-FIT 4-way
mount dial. Includes
blank dial and overlay.
1/4" stem applications.



Code	Uni-Line	Dial Marking
723-601	4590-077	150-550°F
723-603	4590-078	LOW - 550°F

4200 (FD series)
SLIP-FIT Dial Overlays.
Packages of 6
1/4" stem applications.



Code	Uni-Line	Dial Marking
723-627	4590-470	150-550°F
723-617	4590-471	200-550°F
723-614	4590-472	300-650°F

200
(FD series)
1/4" stem applications.



Code	Uni-Line	Dial Marking	Color
723-101	40-580	150-400°F	Black

DIALS - Gas Thermostats

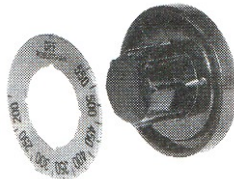
4210, 4220,
4360, 4530
(DP, DG, 2200R and
2200S series).



Code	Uni-Line	Dial Marking
723-098	40-575	150-550°F

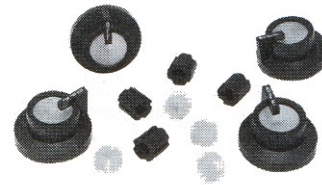
DIALS - Electric Thermostats

DUAL KITS SLIP-FIT
4-way mount dials for D
stem type kit controls.
Includes blank dial and
slip-fit temperature scale.
Stem size .187



Code	Uni-Line	Temp. Range
723-607	4590-090	1-10 NARROW
723-610	4590-092	HOLD 1-2-3 BOIL
723-609	4590-093	60-250°F
723-615	4590-096	100-550°F
723-616	4590-097	200-550°F
723-619	4590-098	200-400°F
723-621	4590-099	300-700°F

DIALS - Top Burner Knob Kits



Contemporary kit includes four knobs and eight 4-way insert adaptors (4 short white inserts and 4 long black inserts). These inserts adapt to the standard 11/32" D stem used on most top burner controls.

Code	Uni-Line	Knob Color
723-563	4590-045	White

UNI-LINE GAS RANGE MODERNIZATION KITS



SLIP-FIT GAS

Kit includes five knobs, ten inserts (5 short white inserts and five long black inserts), four blank top burner overlays, one oven overlay (low-550°, Broil) and one low temp. overlay (140°-550°, Broil).

Code	Uni-Line	Knob Color
723-576	4590-209	Chrome
723-578	4590-210	White

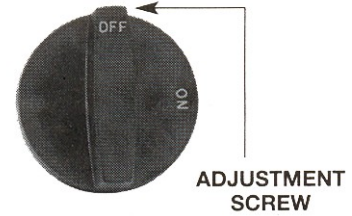
COMMERCIAL DIALS

VULCAN HART 102957, 402954-1



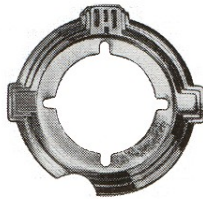
723-050 40-370

SOUTH BEND 1160534

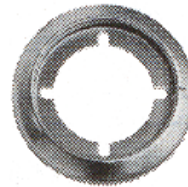


723-053 40-373

BEZELS



Notch cut out for reset button.
Fits 2" dial.



Fits 2" dial.

Code	Uni-Line	Description
723-102	40-563	With reset button
723-127	40-931	Std

4590-901 UNIVERSAL DOMESTIC GAS RANGE DIAL SERVICE KIT

Includes the following components:

KNOBS

- 10 White - Gas
- 10 Black - Gas
- 6 Chrome - Gas

OVERLAYS

- 18 Top Burner
- 12 Gas Oven - Low to 550 plus Broil
- 12 Gas Oven - 140 to 550 plus Broil
- 6 Gas Oven - Low 150 to 400 HI

INSERT ADAPTORS

- 18 White - Gas
- 18 Black - Gas
- 6 Green - Electric/Gas

CHROME BEZELS

- 1 U Series
- 1 BJ Series
- 1 ELO Series



723-588

FLANGE NIPPLE KITS

Wide Flange Nipple 7/8" width
(BJ Series).

Code	Uni-Line	Length
723-065	40-062	15/32"



Narrow Flange Nipple Kit 11/16" width with O-ring (BJ Series).

Kit includes 3 flanges and one 1/8" pipe ID x 9/16-27NS tapered thread OD. adaptor.

Flanges available separately (no adaptor).

Code	Uni-Line	Description
723-569	4590-051	Complete kit
723-085	40-236	Flange only 15/32"
723-087	40-240	Flange only 19/32"
723-089	40-241	Flange only 23/32"

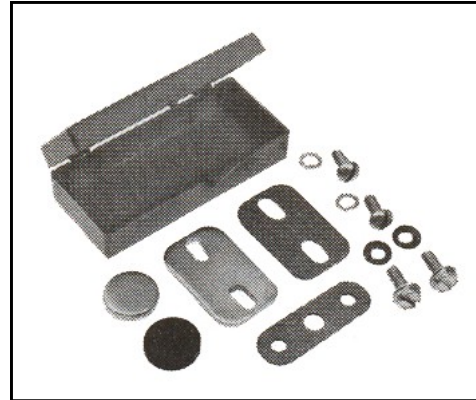


FLANGE NIPPLE KITS

UNIVERSAL MANIFOLD BLOCK-OFF KIT

This kit allows a qualified serviceman to block-off the gas flow temporarily on the following types:

- BJ, BJC, BJFMA and U series flange nipple mounts.
- U series direct mount
- U, GV, ELO and other Robertshaw spring clip mounts.



Code	Uni-Line
723-623	4590-146

BOLT AND WASHER FOR FLANGE NIPPLE MOUNT

1-1/4" X 10 - 24



Code	Uni-Line
723-063	40-836

STEM ADAPTOR

700, 710 SERIES
(UNITROL 7000)
Drive Rod Adaptor



Code	Uni-Line
723-334	1751-009

STUFFING BOXES

ADD-ON STUFFING BOX KITS

Used when an application requires a stuffing box and the replacement control does not have one built-on. These stuffing box kits are designed to fit all capillaries and will fit all sensing bulbs up to 3/8" in diameter. They are designed to convert a standard (non-stuffing box) control to fit a stuffing box application.



Code	Uni-Line	Finish	Application Pipe Size	
			3/8"	1/4"
723-631	4650-001	Brass	●	
723-633	4650-002	Nickel	●	
723-636	4650-011	Nickel	●	●

STUFFING BOX ADAPTORS

Code	Uni-Line	Finish	Application	
723-566	4590-044	Nickel	These special fittings are designed to convert a 3/8" pipe stuffing box application to 1/4" pipe. This allows installation of a replacement control (that has a 1/4" pipe stuffing box fitting) into an application that was originally 3/8" pipe.	

TANK ADAPTOR KIT

Allows a serviceman to add stuffing box to an application which originally did not have a stuffing box.

Code	Uni-Line
723-635	4650-003



ADD-ON PANEL NUT ADAPTOR KIT

Nickel plated nuts, used when an application requires a panel nut and the replacement control does not have one built-in.

FITTINGS

BREAKAWAY FERRULES

1/8" Tubing
Package of 15



723-579	4590-065
---------	----------

3/16" Tubing
Package of 15



723-583	4590-067
---------	----------

1/4" Tubing
Sold per piece



722-222	NOIX COM 1/4
---------	--------------

3/8" Tubing
Package of 6



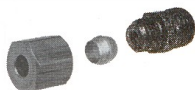
723-591	4590-071
---------	----------

7/16" Tubing
Package of 6



723-593	4590-072
---------	----------

3/16" Pilot Fitting (BJ series)
3/16" comp. nut, ball sleeve &
adaptor.
Package of 3



723-585	4590-068
---------	----------

FITTINGS

EXTENDED BREAKAWAY

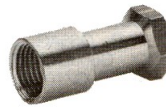
1/4"
Package of 15



1-1/8" long

723-558	4590-816
---------	----------

1/4"
Compression
Package of 15



1-1/8" long

723-559	4590-817
---------	----------

1/4" to 3/16" Tub-
ing Reducer
Package of 10



723-589	4590-070
---------	----------

FITTINGS

PIPE AND TUBING PLUGS

3/8" Recessed
Hex Pipe Plug
Package of 6



723-612	4590-162
---------	----------

1/8" Tubing Plug
Package of 6



723-573	4590-061
---------	----------

7/16" Tubing Plug
Package of 6



723-556	4590-012
---------	----------

3/16" Tubing Plug
Package of 12



723-575	4590-062
---------	----------

1/4" Tubing Plug
Package of 12



723-577	4590-063
---------	----------

FITTINGS

Flush Bushing

1/2" MPT x 3/8" FPT
Package of 6



723-626

4590-171

Reducers



723-599	4590-075	7/16 x 1/4FPT
723-620	4590-134	3/4 x 1/4FPT

Inverted Adaptor

1/2" inverted flare x 3/8" FPT



723-725

26691

MISCELLANEOUS

Quick-Connect Terminal Kit 5400 (N Series)

Kit includes:

4-90° terminals;
4-30° terminals
(to convert screw type terminals to quick-connect type terminals).



723-554

4590-021

MISCELLANEOUS

Thermocouple and Thermopile Adaptors



These adaptors are used to make closed circuits tests of the thermocouples and thermopiles using suitable millivolt test meters.

723-028	10-038	Thermocouple
723-040	10-238	Thermopile

Clip Mount Repair Kit

Kit includes all necessary parts to repair a broken or stripped out clip, used on clip mount manifolds.

Kit includes:

- 14 Clip-spring
- 6 O-rings
- 4 4425 Series Mounting Bolts
- 2 4700 Series Mounting Bolts
- 2 4725 Series Mounting Bolts
- 2 4750 Series Mounting Bolts

Note: When replacing any one clip-spring, it is recommended that all clip-springs be replaced.

MISCELLANEOUS

5110, 5120 (H Series)

Case has dial opening and smaller opening for reset button.



723-073

40-071

Junction Block Adaptor



This adaptor allows the high limit switch to be connected into the thermocouple circuit valves without the slotted magnet.

723-417

1922-001

6" Lead